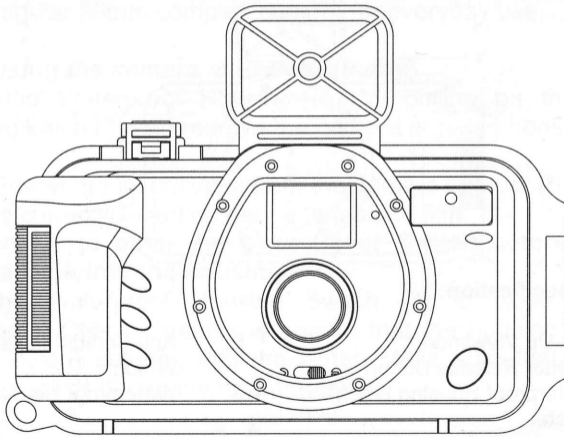
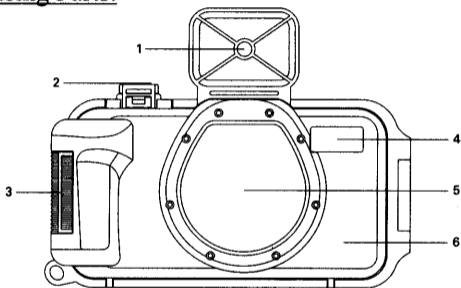


# Go Photo Aqua Pix Underwater Camera Instruction Manual



Thank you for purchasing this camera. Before using, please kindly read these instructions carefully to ensure correct use and obtain optimum performance.

### Underwater Housing Parts:



### **Parts Specification:**

- |                             |                                   |
|-----------------------------|-----------------------------------|
| 1. Flip-Up Viewfinder       | 5. Anti-Scratch Lens Cover Window |
| 2. Shutter Release Button   | 6. Waterproof Housing             |
| 3. Waterproof Housing Latch |                                   |
| 4. Flash                    |                                   |

## Instructions:

The Aqua Pix is a dual use camera, which functions both on land and underwater. With the waterproof housing, the camera can be used for up to 6 meters in depth. After taking the camera out of the housing, it can be used as a regular 35mm compact camera for everyday use.

### ***Steps for using the camera in underwater:***

1. Open the Waterproof Housing (6) by pulling on the Waterproof Housing Latch (3) and remove the camera from the housing.
2. Note: Follow the instructions from the camera manual (Section A & B), such as correctly inserting the batteries and film.

**(Remember to open the Lens Cover Switch before putting the camera back into the housing).**

Use the Waterproof Housing Switch (3) to close the housing afterwards. Check carefully to ensure that the housing is completely closed before entering into the water. Make sure that there are no obstructions or dirt on the rubber gaskets.

3. Taking pictures underwater is different from taking pictures on land. You must frame your subject using the Flip-up Viewfinder (1) then press the Shutter Release Button (2) once to take your picture.
4. During the low light or while underwater, the Flash (4) will activate automatically.

**Note: Take pictures only after the Flash Ready Signal lights up. It takes about 6-8 seconds after the film is advanced to recharge the flash.** This camera will provide an auto saving power function. It will shut off when not used for two minutes. The camera will re-activate after you press the Shutter Release Button (2) once.

5. To remove the film when finished, follow these instructions: You must wipe all water from the surface of the housing prior to opening the housing and removing the camera. Pay particular attention to not

getting any excess water on the camera. Should this occur, wipe off the camera immediately.

6. Open the housing by pulling on the Waterproof Housing Latch (3). Remove the camera from the housing, and follow the instructions (Section D) for power rewinding and unloading the film.
7. It is highly recommended that you use fresh water to completely rinse the Waterproof Housing (6) after each use. This will remove all salt and dirt from the unit.
8. Store the housing and camera in a well-ventilated, cool and dry place for next uses.

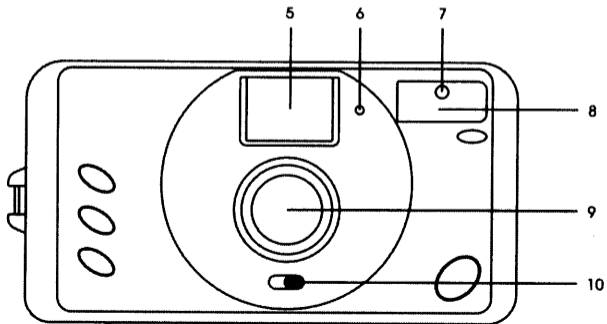
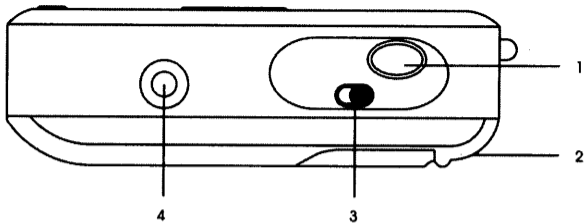
**Note:** Since there are temperature differences on land and underwater. Fog could appear on the surface of the Housing when the camera is first placed underwater. This is normal and you should wait a couple of minutes for the temperature of the camera to stabilize. Do not take any pictures while fog is present since this will decrease the picture quality.

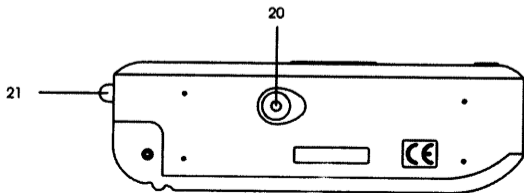
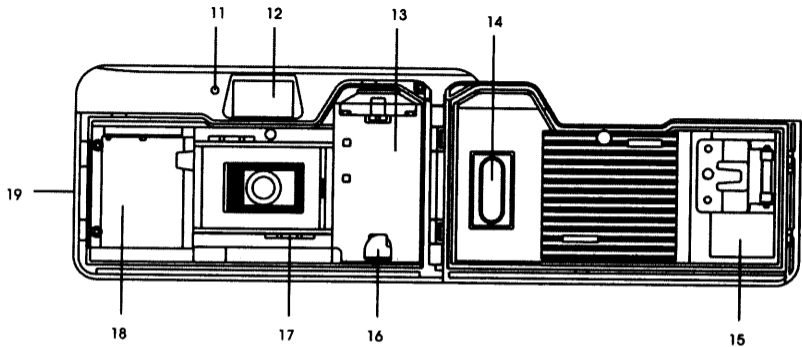
## Camera Parts:

PARTS DESCRIPTION	P.6
PROPER CARE OF YOUR CAMERA	P.9
A. INSERTING THE BATTERY	P.9
B. LOADING THE FILM	P.9
C. TAKING PICTURES	P.10
D. REWINDING THE FILM	P.11
E. CARE AND STORAGE	P.12
F. TROUBLESHOOTING	P.13
G. SPECIFICATIONS	P.14

## PARTS DESCRIPTION

- |                              |                              |
|------------------------------|------------------------------|
| 1. Shutter Release           | 12. Eyepiece                 |
| 2. Battery Compartment Cover | 13. Film Chamber             |
| 3. Rewind Switch             | 14. DX Film Window           |
| 4. Film Counter              | 15. Back Cover               |
| 5. Big Viewfinder            | 16. Film Rewind Shaft        |
| 6. Light Sensor Lens         | 17. Film Sprocket Wheel      |
| 7. Red-Eye Reducing Lamp     | 18. Film Take-up Drum        |
| 8. Flash                     | 19. Back Cover Release Latch |
| 9. Lens                      | 20. Tripod Socket            |
| 10. Cover Switch             | 21. Strap Socket             |
| 11. Flash Ready Signal       |                              |





## **PROPER CARE OF YOUR CAMERA**

1. Do not expose the camera to extreme high or low temperature of direct sun light.
2. Avoid excessive force or impact caused by handling, bumping or dropping.
3. Always keep the lens covered when not in use. Do not touch the lens directly. Should dust accumulate on the lens, use a blower to remove the dust.
4. Remove the batteries if you do not expect to use the camera for an extended period. Store the camera in a well-ventilated, cool and dry place.
5. This camera is not water-proof and must not be used in the rain or in water.
6. Never attempt to disassemble the camera, as it contains a high-voltage circuit.
7. Do not place the camera near equipment that has strong magnetic fields.

### **A. INSERTING THE BATTERY**

The camera will not operate unless the batteries are correctly installed. Use a coin to flip open the battery compartment cover. Insert the recommended fresh Alkaline batteries. Ensure that the + and - on the battery are aligned according to polarity diagram inside the battery compartment. Snap the battery door closed.

### **B. LOADING THE FILM**

\*Always avoid direct sunlight when loading the film.

Push the back cover release latch upward to open. Load the film cassette into the film

chamber and onto the film rewind shaft until the cassette is fully seated. Pull out enough film leading to the left and place over the film take-up drum. Make sure the film lies flat. "Click" shut the back cover. Press the shutter release button once and the film will be advanced to the first exposure automatically.

### **C. TAKING PICTURES**

Open the lens shield by sliding the Lens Cover Switch. Bring the camera up to your eyes and frame your subject within the back viewfinder. For a sharp picture, stand at least 1.5m (5 ft) from your subject. Fully depress the shutter button to take the picture. In dim light, such as indoors or outdoors in heavy shade, or on dark overcast days, you will need the flash. This camera features an automatic flash that fires when you need it, and it also helps to minimize red eyes in flash pictures. When the flash ready signal lights up, press the shutter release button halfway - the lamp for red eye reduction will light. When pressing fully, you can take the picture. Allow 10 seconds for the flash to recharge. To ensure proper exposure, make sure your subject is positioned within the effective flash range.

ISO 100	ISO 200	ISO 400
1.4 - 2.0M	1.4 - 2.5M	1.4 - 3.0M

## Tips for better pictures

- ♦ To take clear pictures, hold the camera steady and properly, or use a tripod.
- ♦ Be careful not to place your fingers over the lens or the flash window.
- ♦ Take pictures at the subject's level. Kneel down to take pictures of children or pets.
- ♦ Hold your camera vertically to capture tall, narrow subjects, such as a waterfall, skyscraper, or a single person.
- ♦ Keep the sun behind you. This provides the best subject illumination.
- ♦ We suggest that you become familiar with your new camera by shooting and processing at least one roll of film before using your camera to record an important occasion.

## D. REWINDING THE FILM

After the last exposure, the motor will stop and you will not be able to fire the shutter anymore. The film counter should also show a number that approximates the number of frame specified on the film cassette. Generally one or two more frames than specified may be taken. To rewind, close the lens cover and push the Film Rewind Button, hold it until the motor stops. The film counter will count down to "S" after

rewind has fully completed. You can also do this when you wish to develop the film before reaching the end of the film. Push the back cover release latch to pop open the back cover. Remove the film, put it in its protective container and have it processed as soon as possible.

## **E. CARE AND STORAGE**

1. Do not expose the camera to extreme high and low temperature or direct sun light.
2. Avoid excessive force or impact caused by handling, burning or dropping.
3. Always keep the lens covered when not in use. Do not touch the lens directly.
4. Remove the battery if you do not expect to use the camera for an extended period. Store the camera in a well-ventilated, cool and dry place.
5. This camera is not water-proof and must not be used in the rain or in water.
6. Never attempt to disassemble the camera, as it contains a high-voltage circuit.
7. Do not place the camera near equipment that has strong magnetic fields.

**\* CAUTION:** Keep all batteries away from small children and immediately dispose of any used batteries safely. Batteries are small objects and could be ingested. Do not open battery, dispose of in fire, or attempt to recharge

## F. TROUBLESHOOTING

Problems	Causes	Solution
Camera does not operate	Batteries exhausted, or improperly loaded, or lens cover is closed or not completely opened	Replace or reload the batteries. Open the lens cover completely
Camera does not advance the film	Film is improperly loaded	Reload the film
Camera does not rewind the film	Rewind not activated	Slide and hold the rewind button for rewind
Blurred pictures	Out of focus or Camera shake	Aim the subject within the focusing range or fix the camera
No Flash	Batteries exhausted or the flash is recharging	Replace batteries or wait until the flash ready light

## G. SPECIFICATIONS

Shutter Lock	The shutter will be locked when the lens shield is closed
Lens	F9 30mm 1-element plastic lens
Focusing	Fixed focus
Focusing Range	1.5 meter to infinity
Viewfinder	2-element Reverse-Galilean Albada finder
Shutter Speed	1/125 second
Built-in Flash	Automatic Flash
Flashing Operating range	ISO100 - 1.4m to 2.0m
	ISO200 - 1.4m to 2.5m
	ISO400 - 1.4m to 3.0m
Flash Recycling Time	8 seconds with 2 fresh alkaline batteries
Flash Ready Indicator	Green LED beside the viewfinder
Power Source	2 x AA (LR6) alkaline batteries
Dimensions	119.5mm (W) x 63.5mm (H) x 39mm (D) without date back
Weight	142g without battery

(V.1.0)