



This manual is for reference and historical purposes, all rights reserved.

This page is copyright© by M. Butkus, NJ.

This page may not be sold or distributed without the expressed permission of the producer

I have no connection with any camera company

On-line camera manual library

This is the full text and images from the manual. This may take 3 full minutes for the PDF file to download.

If you find this manual useful, how about a donation of \$3 to: M. Butkus, 29 Lake Ave., High Bridge, NJ 08829-1701 and send your e-mail address so I can thank you. Most other places would charge you \$7.50 for a electronic copy or \$18.00 for a hard to read Xerox copy.

This will allow me to continue to buy new manuals and pay their shipping costs.

It'll make you feel better, won't it?

**If you use Pay Pal or wish to use your credit card,
click on the secure site on my main page.**

Nikon

AF240SV

AF240SV

QUARTZ DATE

**Instruction Manual
Bedienungsanleitung
Manuel d'utilisation
Manual de instrucciones**

**使用说明书
使用説明書
دليل التعليمات**

CE

Fig. A

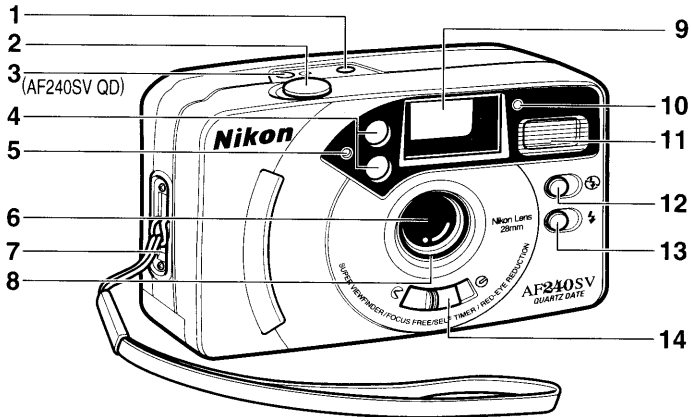
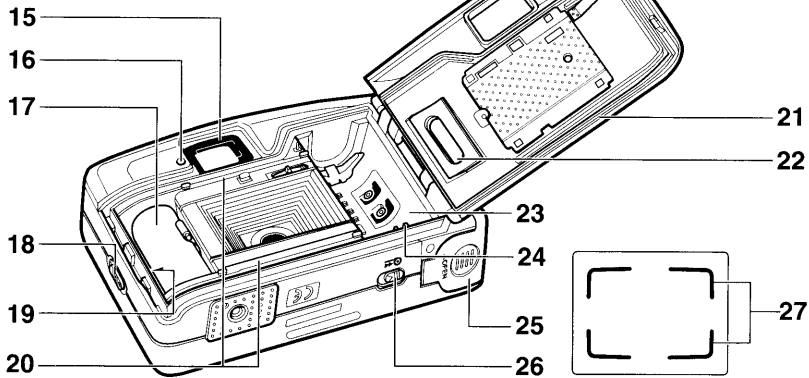


Fig. B



Foreword

Thank you for purchasing the Nikon AF240SV/AF240SV QD.

It is a very enjoyable, easy-to-use camera. However, in order to obtain the best results, be sure to read this instruction manual thoroughly before you begin.

Camera parts

(Fig. A)

- 1 Film frame counter
- 2 Shutter release button
- 3 Self-timer button (AF240SV QD only)
- 4 Autofocus windows
- 5 Auto exposure metering window
- 6 Lens
- 7 Strap eyelet
- 8 Lens cover
- 9 Viewfinder window
- 10 Red-eye reduction/
Self-timer indicator lamp (AF240SV QD only)
- 11 Flash
- 12 Flash cancel button
- 13 Anytime flash button
- 14 Power (lens cover) switch

(Fig. B)

- 15 Viewfinder eyepiece
 - 16 Flash ready LED (green)
 - 17 Film take-up spool
 - 18 Camera back lock-release lever
 - 19 Film leader position index
 - 20 Film guides
 - 21 Camera back
 - 22 Film cartridge confirmation window
 - 23 Film chamber
 - 24 Film rewind fork
 - 25 Battery chamber lid
 - 26 Mid-roll rewind lever
- (Viewfinder)
- 27 Picture frame

Precautions

- Be sure to read this instruction manual thoroughly before use, and keep it close at hand.
- Do not subject the camera to high temperatures such as those encountered near a heater or stove or the interior of a car during summer.
- Store the camera in a cool, dry, clean place. Do not expose it to chemicals such as camphor or naphthalene. Using a desiccant during storage is recommended.
- Close the lens cover to turn the camera off when not in use. This prevents accidental release of the shutter and resulting battery drain.
- Do not attempt to disassemble, repair, or modify the camera yourself, as it houses high-voltage circuitry which can cause an electric shock. Another reason is that these actions could cause the camera to malfunction.

Attaching the strap (See Fig. C—page 114.)

Thread the wrist strap through the eyelet, then pass the other end through the loop and pull it tight.

Installing batteries (See Fig. D—page 114.)

1. Pull the battery chamber lid in the direction of the arrow to open.
2. Install two AA-type alkaline-manganese batteries with the + and - poles oriented as shown inside the battery chamber.
3. Push the battery chamber lid back into place until it clicks shut.

Notes

- Do not use NiCd batteries.
- Remove batteries from the camera when not in use for a long time.
- Do not break open or try to recharge batteries.
- Do not throw batteries into a fire.
- Keep batteries out of the reach of children.

Film speed setting

The camera is designed to use DX-coded ISO 100 or 400 film, and correct film speed is automatically set. If non DX-coded film or DX-coded ISO 200 film is loaded, film speed is automatically set to ISO 100.

Loading film (See Fig. E—page 115.)

1. Slide the camera back lock-release lever in the direction of the arrow to open.
2. Position the hole in the bottom of the film cartridge over the film rewind fork and insert the film cartridge into the film chamber.
3. Pull the film leader across to the film leader position index.
4. Make sure the film lies flat between the film guides.
5. Close the camera back. The film automatically advances to the first frame. Make sure that the number "1" is visible in the frame counter.

If not visible, the film is not loaded properly. In this case, repeat procedures from 1 to 5.

- To confirm that film is loaded in the camera, glance at the film cartridge confirmation window.

Taking pictures (See Fig. F—page 116.)

1. Slide the power switch in the direction of the arrow.
 2. Hold the camera steady with both hands. Be careful not to block the flash, autofocus windows or lens with your fingers or hair.
 3. To ensure sharp pictures, make sure your subject is at least 1m (3.3 ft) away from the camera.*
 4. Look through the viewfinder and center the main subject in the viewfinder.
 5. Press the shutter release button lightly to focus the subject.
 6. Fully depress the shutter release button to take the picture.
- The lens cover is interlocked with the camera's safety mechanism. You can take pictures only when the lens cover is open all the way.
- * **Note:** If the camera-to-subject distance is closer than 1m (3.3 ft), an out-of-focus picture may result.

Self-timer operation (AF240SV QD only) (See Fig. G—page 117.)

1. Place the camera on a tripod or a secure flat surface.
 2. Compose the picture and press the Self-timer button.
- The self-timer indicator lamp lights up for 7 sec., then blinks for 3 sec. before the shutter is released.
 - Self-timer can be canceled by pressing the self-timer button again or turning the power off.

Flash photography (See Fig. H—page 118.)

Auto flash mode (default)

The camera determines when flash is needed and fires the flash automatically. Recommended flash shooting range is as follows:

Flash shooting distance range

Film speed	Flash shooting range
ISO 100	1 to 2.7m (3.3 to 8.9 ft)
ISO 200	1 to 3.8m (3.3 to 12.5 ft)
ISO 400	1 to 5.4m (3.3 to 17.7 ft)

As soon as the flash is fully charged, the green flash ready LED lights up; the LED automatically goes out after approx. 20 seconds; it lights up again when you press the shutter release button lightly. To take a picture with flash, fully depress the shutter release button. Recharging takes approx. 6 seconds.

- The flash ready LED blinks while the flash is being charged and the shutter release button is locked.
- Replace the battery with a fresh one if you notice any delays in charging.

Flash cancel mode (See Fig. H-2—page 118.)

When you don't wish to use flash to achieve a more natural lighting effect, press the flash cancel button while shooting.

Anytime flash mode (See Fig. H-3—page 118.)

Whenever you want to use fill-flash for backlit situations, press the anytime flash button while shooting.

Red-eye reduction

In flash photography, the subject's eyes sometimes appear bright red in color pictures (white in b/w ones) due to a phenomenon known as "red-eye." To reduce this effect, your camera comes with a red-eye reduction lamp. When the shutter release button is pressed lightly, the red-eye reduction lamp lights up, causing the size of the subject's pupil to grow smaller, thus reducing the possibility of red-eye effect. Be sure to hold down the shutter release button halfway for a few seconds to light up the red-eye reduction lamp before pressing the button all the way to fire the flash. The red-eye reduction lamp goes out after 10 seconds automatically while holding the shutter release button halfway.

How to use focus lock (See Fig. I—page 119.)

1. Center the main subject in the viewfinder.
2. Lightly press the shutter release button to lock focus on the subject.
3. Keeping the shutter release button lightly pressed, recompose the scene.
Then fully depress the shutter release button.

Note: To cancel focus lock, simply remove your finger from the shutter release button.

Special focusing situations (See Fig. J—page 120.)

The following subjects may be too difficult to focus:

- a. Subjects too small
- b. Subjects behind glass
- c. Dark subjects with no reflection
- d. Glossy, light-reflecting surfaces, such as shiny cars or water
- e. Subjects without solid content (i.e. candle flame, fireworks, etc.)

In the above cases, use focus lock.

- Self-timer: (AF240SV QD only) Activated by depressing the Self-timer button; one-shot operation; cancelable; 10 sec. duration (lights up for 7 sec. and blinks for 3 sec.)
- Flash: Built-in auto flash with recycling time of approx. 6 sec. Flash cancel and anytime flash functions provided.
- Flash shooting distance range: 1–2.7m (3.3–8.9 ft) at ISO 100, 1–3.8m (3.3–12.5 ft) at ISO 200, and 1–5.4m (3.3–17.7 ft) at ISO 400
- Battery life: Approx. 30 rolls of 24-exposure film (20 rolls of 36-exposure film) with flash for half of all exposures
- Red-eye reduction function: Provided
- Auto power off: With the power switch ON, camera power automatically turns OFF after approx. 20 seconds when the camera is not in use. To turn the power ON again, lightly press the shutter release button or turn the power switch ON.

Power source: Two 1.5V AA-type alkaline-manganese (LR6) batteries, NiCd battery not usable

Dimensions (WxHxD): Approx. 110 x 67 x 37mm [4.3 x 2.6 x 1.5 in.] (AF240SV),
Approx. 110 x 67 x 42mm [4.3 x 2.6 x 1.7 in.] (AF240SV QD)

Weight

(without batteries): Approx. 155 g (5.5 oz) (AF240SV),
Approx. 160 g (5.6 oz) (AF240SV QD)

Specifications and design are subject to change without notice.

Data imprinting (AF240SV QD only)

Important: A separate lithium battery for time and date functions is built into this camera.

Parts identifications (See Figs. L and M—page 122.)

(Fig. L)

- 1 Date/Time display
- 2 MODE button
- 3 SEL button
- 4 ADJ button

(Fig. M)

- (1) No imprint
- (2) Month/Day/Year
- (3) Day/Month/Year
- (4) Year/Month/Day
- (5) Day/Hour/Minute

No imprint mode

If you do not wish to have any data imprinted on your pictures, simply press the "MODE" button until the No Imprint display mode (- - -) appears.

Five display modes are available by pressing the "MODE" button; they appear in the order shown. (Fig. M)

Setting the data (See Fig. L—page 122.)

1. Press the "MODE" button **2** to choose the desired mode.
2. Press the "SEL" button **3** until the data you want to correct starts blinking.
Press the "ADJ" button **4** to correct it.
3. Press the "MODE" button **2** again to finish correcting the data.

Note: Pressing any of the three buttons once advances the digits (for Month, Day, etc.) one at a time. Pressing the same button continuously advances the digits quickly.

Date & Time imprinting (See Fig. N—page 123.)

- When the shutter is released, the "—" indicator appears for three seconds indicating imprinting is complete. However, the "—" indicator will not be imprinted on the film. (Fig. N)
- Date or Time is imprinted near the lower right-hand corner of the print. Data is imprinted in orange on color prints.

Important: Imprinted data will be less distinct against a bright or orange background.

Replacing lithium battery (CR2025) when imprinted data is dim or illegible (See Figs. O and P—page 123.)

1. Open the camera back, and remove the screw that secures the battery chamber lid. (Fig. O) Make sure that film is not loaded.
2. Take out the used battery and install a fresh (CR2025) battery with the (+) side up. (Fig. P)
3. Replace the lid and fasten the screw.

Specifications

System:	LCD panel auto calendar with built-in quartz digital clock
Data imprinting functions:	No imprint, Month/Day/Year, Day/Month/Year, Year/Month/Day and Day/Hour/ Minute can be selected.
Battery life:	Approx. 2 years
Power source:	Lithium battery (CR2025)

Specifications and design are subject to change without notice.

Vorwort

Wir danken Ihnen für das Vertrauen, das Sie Nikon mit dem Kauf der AF240SV/AF240SV QD entgegenbringen. Die Kamera ist extrem einfach in der Bedienung. Damit Sie auch wirklich Spaß mit der Kamera haben, machen Sie sich bitte durch eingehende Lektüre der Bedienungsanleitung mit allen Merkmalen und Funktionen vertraut.

Teilebezeichnung

(Abb. A)

- 1 Bildzähler
- 2 Auslöser
- 3 Selbstauslösertaste (nur AF240SV QD)
- 4 Autofokus-Meßfenster
- 5 Belichtungsmeßfenster
- 6 Objektiv
- 7 Riemenöse
- 8 Objektivabdeckung
- 9 Sucherfenster
- 10 LED zur Verringerung roter Augen/
Selbstauslöser-LED (nur AF240SV QD)
- 11 Blitzgerät
- 12 Taste für Blitzabschaltung
- 13 Taste für Blitzzuschaltung
- 14 Hauptschalter

(Abb. B)

- 15 Sucherokular
- 16 Blitzbereitschafts-LED (grün)
- 17 Filmwickelspule
- 18 Rückwandentriegelung
- 19 Filmanfang-Indexmarke
- 20 Filmführungen
- 21 Rückwand
- 22 Filmtypenfenster
- 23 Filmkammer
- 24 Filmrückspulgabel
- 25 Batteriefachdeckel
- 26 Taste zum Rückspulen teilbelichteter
Filme
- (Sucher)
- 27 Bildrahmen